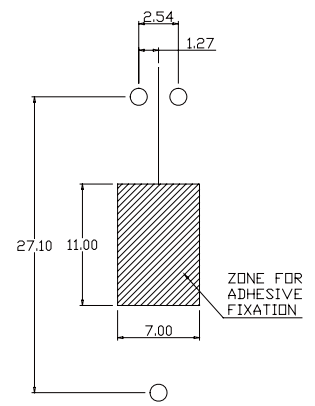
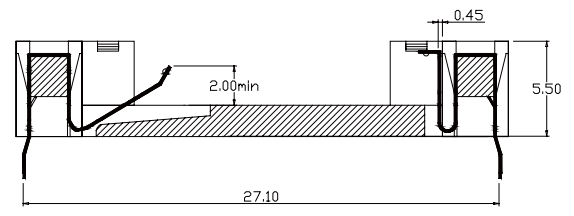
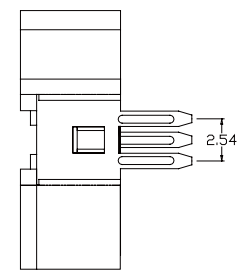
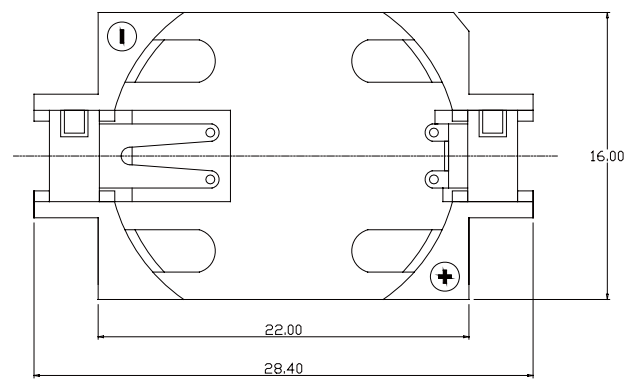


BY	CHK	REVISION RECORD MODIFICATIONS	DATE	REV.
ALLEN		RELEASE TO PRODUCTION	2007,9,10	1.0

MATERIAL:
 Insulator Material: LCP,UL 94V-0
 Contact Material: Copper alloy
 Finish: Tin plated
 For CR2032



Recommended PCB Layout
 (PCB TOLERANCE±0.05)



PartNo.:BTD-2032TW-U

APPRO	CHECK	DRAWN	PART NO.	Part No.:BTD-2032TW-U			DESCRIPTION	
			ITEM NO.					
			DRAW NO.					
			UNIT	mm	SCALE	no		
			TOLER		NO.		Tel:0769 22020068 Fax: 0769 22020069 E-mail: sales@vigortec.com	